

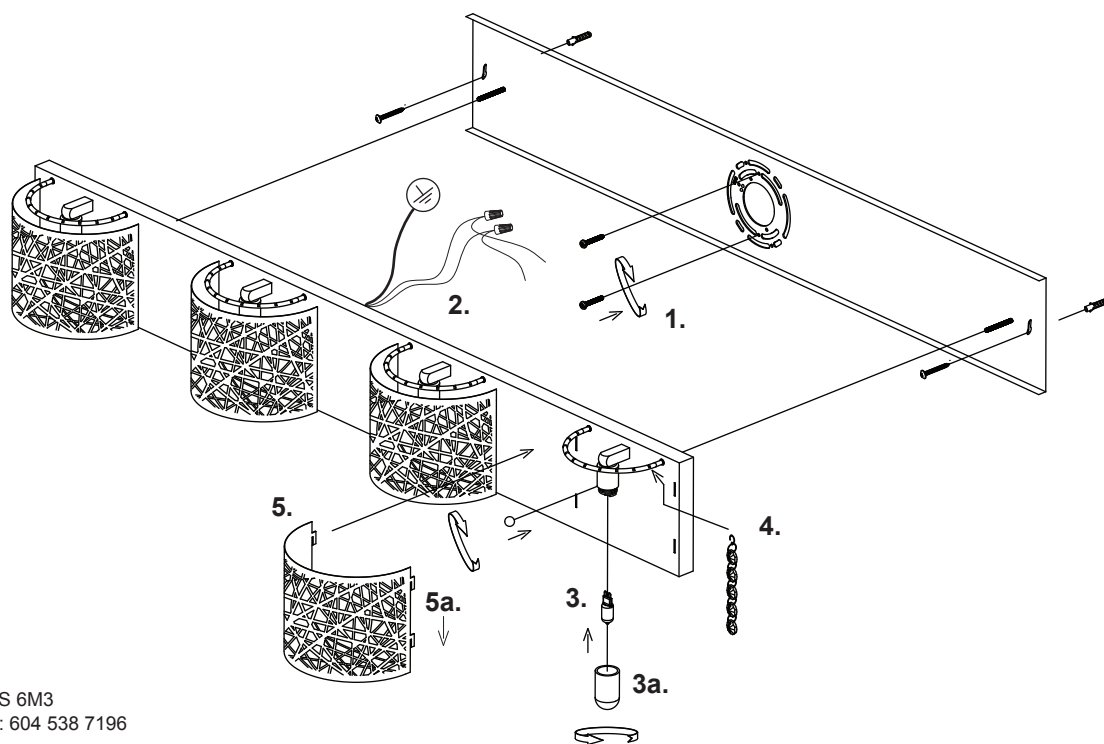
Four lamp laser cut stainless steel vanity

- 1.** Remove the fixture from its original packaging. Remove the canopy mounting plate from within the canopy and attach it to the electrical junction box, and wall, using the screws provided in the hardware package.
- 2.** Now attach the canopy to the mounting plate which is attached to the electrical junction box on the wall. First attach all wiring with the provided marrets (white to white "N", black to black "L", ground to ground "G"). Push the screws through the canopy plate so they are poking through, once this is complete you can screw on the decorative nuts until tight.
- 3.** You can now install the G-9 light bulbs of the correct wattage, and **(3a)** the light bulb cover.
- 4.** Install all of the 40 crystal accents by hooking them on to the accent hanging bar on the fixture.
- 5.** Install the metal light cover onto the fixture by sliding the metal cover hooks into the slots on the canopy of the fixture. **(5a)** Once the metal cover hooks are in the slots on the canopy then slide the metal cover down to secure it to the canopy.
- 6.** Please repeat step 5 until the installation of all the metal light covers are complete
- 7.** You have now completed the installation of your fixture, please enjoy.

START FROM HERE

- Make sure power is completely off at the fuse box.
- Have your fixture installed by a qualified licensed electrician
- Prepare everything in clear area.
- Wear gloves at all times during this installation.
- Read instructions carefully before you start assembly.
- Keep this instruction sheet for future reference.

Technical Support: 1-877-452-6858



KUZCO
LIGHTING

19054 28th Avenue Surrey, BC Canada V3S 6M3
T: 604 538 7162 TF: 1-855 85 KUZCO F: 604 538 7196
W: kuzcolighting.com